

Burns and Ferrall Locations

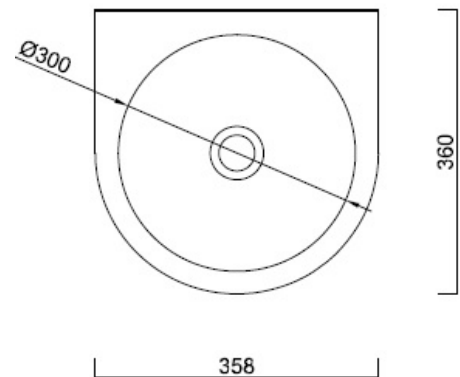
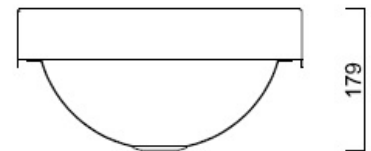
AUCKLAND
12 Reg Savory Place
East Tamaki, Auckland

0800 697 465

WELLINGTON
122-124 Tory Street
Te Aro

HAMILTON
60 Alexandra Street
Central

CHRISTCHURCH
345 St Asaph Street
Christchurch

**Product Specification Sheet
WB3R****FEATURES:**

- 0.9mm 304 Stainless Steel
- 40mm Waste outlet, plug and waste included
- Waste Brackets (WABR) included

28 WB3R**DIMENSIONS:**

- 360 x 360 x 179 o/a
- Bowl Dia: 300mm x 115 deep

E&OE – it is recommended all measurements are taken directly from the product. Specification subject to change without notice, always consult the literature supplied with the product. Coloured images are indicative only.